

Modern Capsule (m-Cap)



The m-Cap is a modern solution for capsuling wine bottles. The m-Cap does not require any equipment for installation. The m-Cap is made of polypropylene and is recyclable. The m-Cap is designed, patented and produced in the USA. For more information: <https://youtu.be/pdOvvyRRODU>

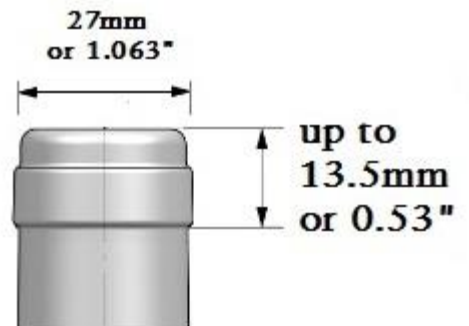


Contact us for a free sample: info@armensbarrels.com

Bottle Requirements

While the m-Cap is compatible with most Bordeaux and Burgundy wine bottles, please check your bottles as there are many variations:

- 1) The outside diameter of the bottle top should be 27mm
- 2) The distance from the top of the bottle to the bottom of the rim should not exceed 13.5mm



Shipping



Standard pallet can have 45,000 m-Caps. There are 5 tiers where each tier contains 9 boxes. Each box weighs 12.6 pounds and contains 1,000 units. The dimensions of the box (L x W x H) are 15" x 14.5" x 13.5".

The product is shipped directly from our warehouse:

Wine Requisites LLC
10 McCoy Lane
Washington, Pennsylvania 15301

Price Sheet

Volume (units)	Price (Per unit)	Total Cost (Plus, shipping)	Shipping
90,000	\$0.16	\$14,400	2 pallets, 5 tiers
45,000	\$0.20	\$9,000	1 pallet, 5 tiers
36,000	\$0.22	\$7,920	1 pallet, 4 tiers
27,000	\$0.24	\$6,480	1 pallet, 3 tiers
1,000	\$0.35	\$350	1 box
Samples	Free		